

Cubing Guidelines

Cubing means measuring the dimensions of your freight to determine if you will be charged based on the actual weight or the size of the shipment.

A box of books (50 x 50 x 50cm) and weighing 40kg will be charged more than a larger box (60 x 60 x 60cm) containing feathers and weighing 15kg.

However, if the smaller (50 x 50 x 50cm) box had only 20kg, the 60 x 60 x 60cm box would be charged more as its size would be the determining factor.

International Shipments

The industry standard is 1 cubic metre = 167 kilograms

Domestic Shipments

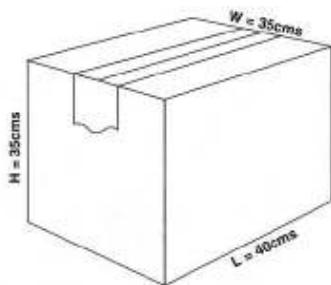
Domestic metropolitan courier shipments:	1 cubic metre = 250 kilograms
Domestic road (truck):	1 cubic metre = 250 kilograms
Domestic air (plane):	1 cubic metre = 167 kilograms

All measurements are in centimetres (cm)

All weight measurements are in kilograms (kg)

Bulk cubing – where a consignment of individual items is measured as one item even if not on a pallet

Example 1: Cubing a carton



Measure in centimetres:

Length (L) x Width (W) x Height (H)

(L) 35cm x (W) 35cm x (H) 40cm = 0.049m³

Cubic measurements are not rounded off.

Measurements are recorded to three decimal places as per example.

Cubic Weight:

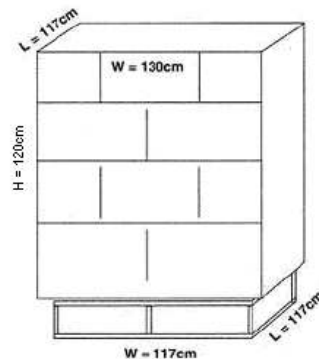
Metro (250kg³ / m³) = 0.049 x 250 = 13kg³

Domestic Road (250kg³ / m³) = 0.049 x 250 = 13kg³

Domestic Air (167kg³ / m³) = 0.049 x 167 = 9kg³

International (167kg³ / m³) = 0.049 x 167 = 9kg³

Example 2: Cubing a pallet



Measure in centimetres:

Length (L) x Width (W) x Height (H)

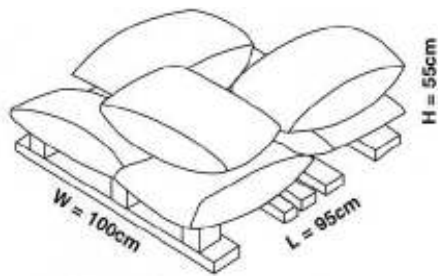
(L) 117cm x (W) 130cm x (H) 120cm = 1.825m³

Width of items on pallet including overhang = 130cm in the above example.

When freight / items overhangs the edges of the pallet, the cubic measurement takes into account the overhang.

Cubing is performed as per the normal procedure
Length (L) x Width (W) x Height (H)

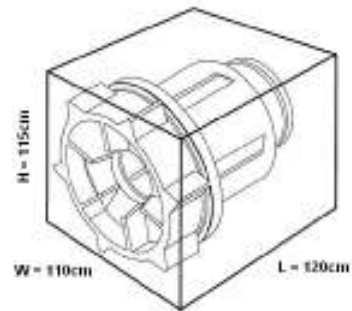
Example 3: Cubing a pallet



Measure in centimetres:
Length (L) x Width (W) x Height (H)
(H) 95cm x (W) 100cm x (H) 55cm = 0.523m³

Note – skids or plain pallets can come in various shapes and sizes. Those made from wood must be ISPM 15 stamped (and clean), otherwise plastic or synthetic material.

Example 4: Cubing an odd shaped item



When cubing an odd shaped item, imagine it could be contained within a box and measure the box accordingly.